

Features

- Engineered for optimal performance with KOHLER toilets.
- Fixture-mount design.
- 1.28-gpf toilet valve use at least 20 percent less water than standard 1.6-gpf toilet valve while still meeting strict performance guidelines.
- Self-cleaning brass piston prevents clogging and reduces maintenance.

Material

- Durable brass construction.
- Chloramine resistance on all rubber components exposed to waterway.

Technology

- Non-hold open piston technology for accurate activation.

Installation

- Intended for toilet installation with 1-1/2" top spud coupling connection.
- Includes vacuum breaker and control stop.



Codes/Standards

ASSE 1037/ASME A112.1037/CSA B125.37
EPA WaterSense®
ADA
ICC/ANSI A117.1
CSA B651
OBC

KOHLER® One-Year Limited Warranty

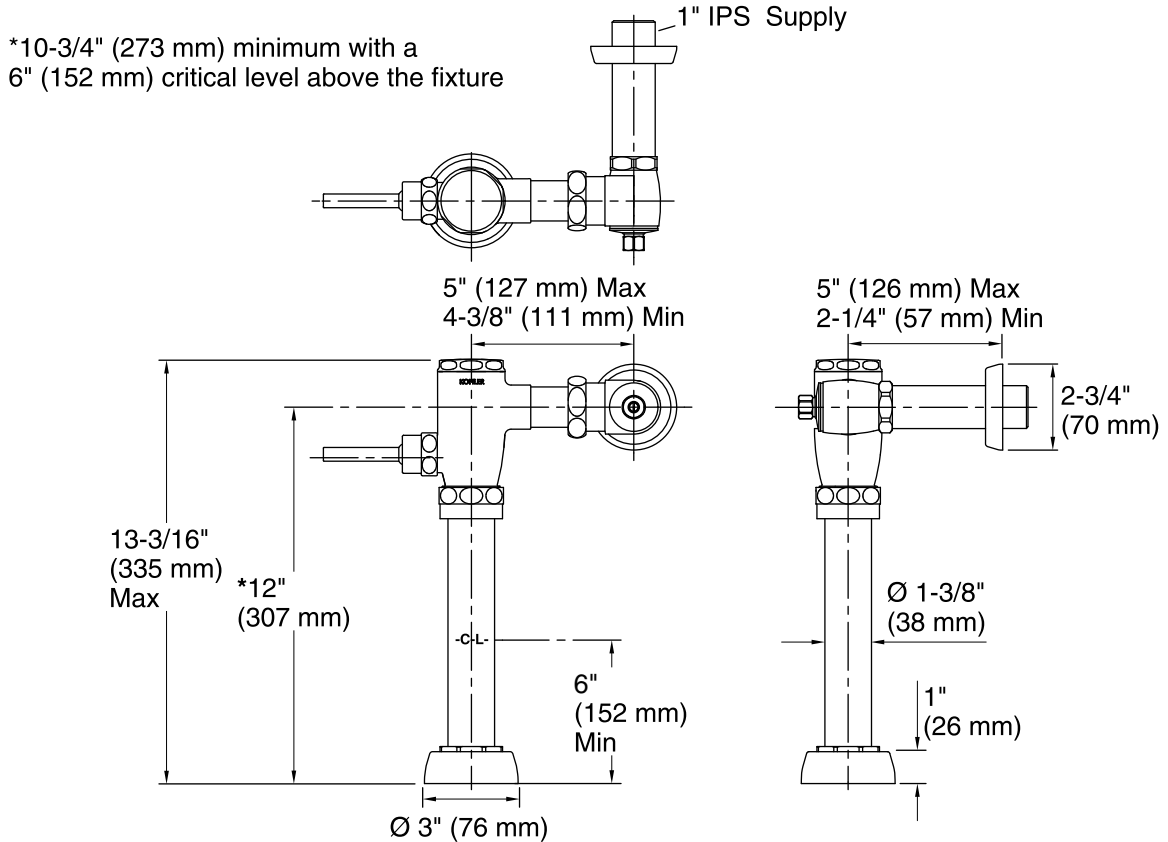
See website for detailed warranty information.

Available Color/Finishes

Color tiles intended for reference only.

Color	Code	Description
-------	------	-------------

	CP	Polished Chrome
--	----	-----------------



Technical Information

All product dimensions are nominal.

Fixture pressure max 80 psi (551.6 kPa)
(static):

Pressure and Supply Requirements

Fixture pressure min 35 psi (241.3 kPa)
(static):

Fixture Supply Requirements

Min static pressure: 35 psi (241.3 kPa)
Max static pressure: 80 psi (551.6 kPa)
Min flowing pressure: 25 psi (172.4 kPa)
Min flow rate: 25 gpm (94.6 lpm)

Notes

Install this product according to the installation guide.

ADA, OBC, CSA B651 compliant when installed to the specific requirements of these regulations.